



## TECHNICAL NEWSLETTER

### BeeWrap

## New Advanced Semi-Automatic Mobile Pallet Wrapper

SIAT is pleased to announce that from April 2016 our mobile pallet wrapper WR100 will be replaced with the new and innovative BeeWrap model.

The proven model has been significantly redesigned in its aesthetic aspect as well as in mechanical and electrical parts to achieve the highest performance in market.



#### **Key Features:**

- *Modern Design*
- *Best in market machine efficiency*
- *Ergonomic position of operator panel*
- *Wrapping of smaller and lighter loads*
- *Higher wrapping capability*
- *Easier & faster set-up*
- *Reduced transportation costs*
- *Extended 24 months warranty*
- ***New downloadable manual***



## Modern Design



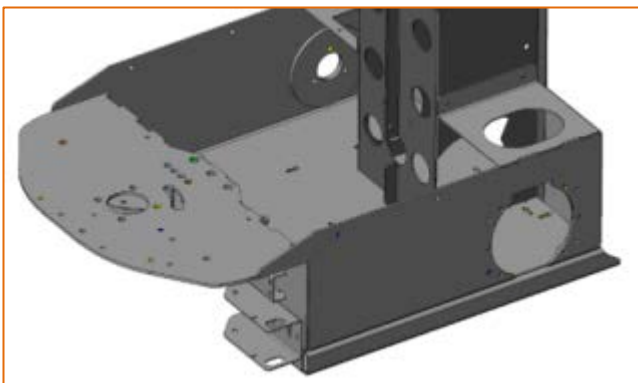
**New batteries hood**



**Control panel detail**



**New top column hood**



## New frame design

Significant advantages in terms of stability and energy consumption also due to lowered center of gravity. Optimized frame design to improve stability and accessibility.

## Significantly increased stability by:

- Increasing track width
- Increasing pitch length
- Lowering center of gravity
- Reduction of accumulator base level

## Several additional improvements

- Overall weight reduction
- Smaller motor (from 0.6 kW to 0.3 kW) thanks to the adoption of higher efficiency gearbox
- No risk of losing the charger since it's integrated on board
- Easy connection for recharging thanks to external plug

Thanks to these structural design changes we made it possible to wrap up to

**300 pallets before recharging\***

\* Test conditions: pallet 1200x800X1500(h) 2 top wraps, 2 bottom wraps, 10 Kg Film tension.

March 22, 2016

TN – 2016-02

## ***New column design***

*Faster set-up when shipping & delivering the machine. Column is reclined and needs not to be assembled as per current model.*

*Set-up can be carried out by a single operator. Increased wrapping height with shorter column because the carriage is hooked with the belt in a lower position.*

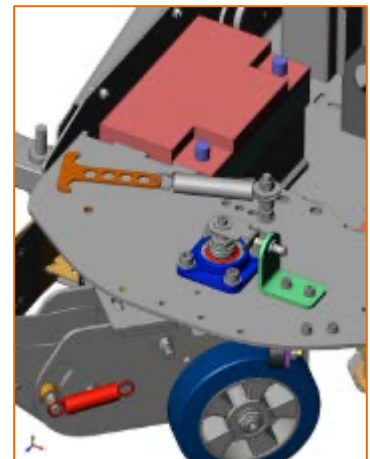
*Shipping volume reduction by more than 30%.*

*Stackable: now it can be stacked by two inside a container!*



## ***New Bumper / Turning Rudder***

- *Improved version: not turning with the wheel*
- *Easier to maintain: less parts compared to the previous system*
- *Safer thanks to Extended Safe Area at the pallet corners*
- *Easier adjustment of the spring reaction*
- *Easier access to turns-counting proxy that is also in a more protected position*



## ***Ease of Maintenance***

*Easier access for maintenance from top cover and less components.*

*Increased reliability using standard wiring components and proxy.*



***24 Months Warranty on all non-wear parts of newly BeeWrap.***

***A product with a well-proven and consolidated platform!***

***New downloadable manual:*** *possibility to store a soft copy of the manual or print it out at your convenience. Part of SIAT program to become more eco-friendly.*



***New orders as of April 1st, 2016 will be processed with this new configuration.***

***Need more details? Contact us at: [siat@siat.com](mailto:siat@siat.com)***